

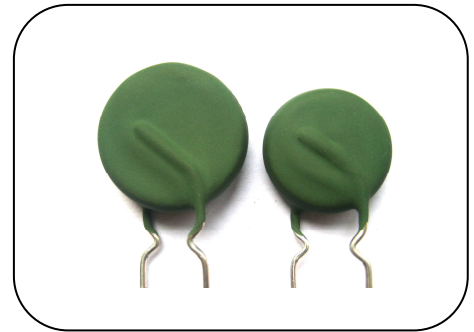
# Ceramic PTC Thermistor: PPL Series

## Dip Type for Inrush Current Limiter



### ■ Features

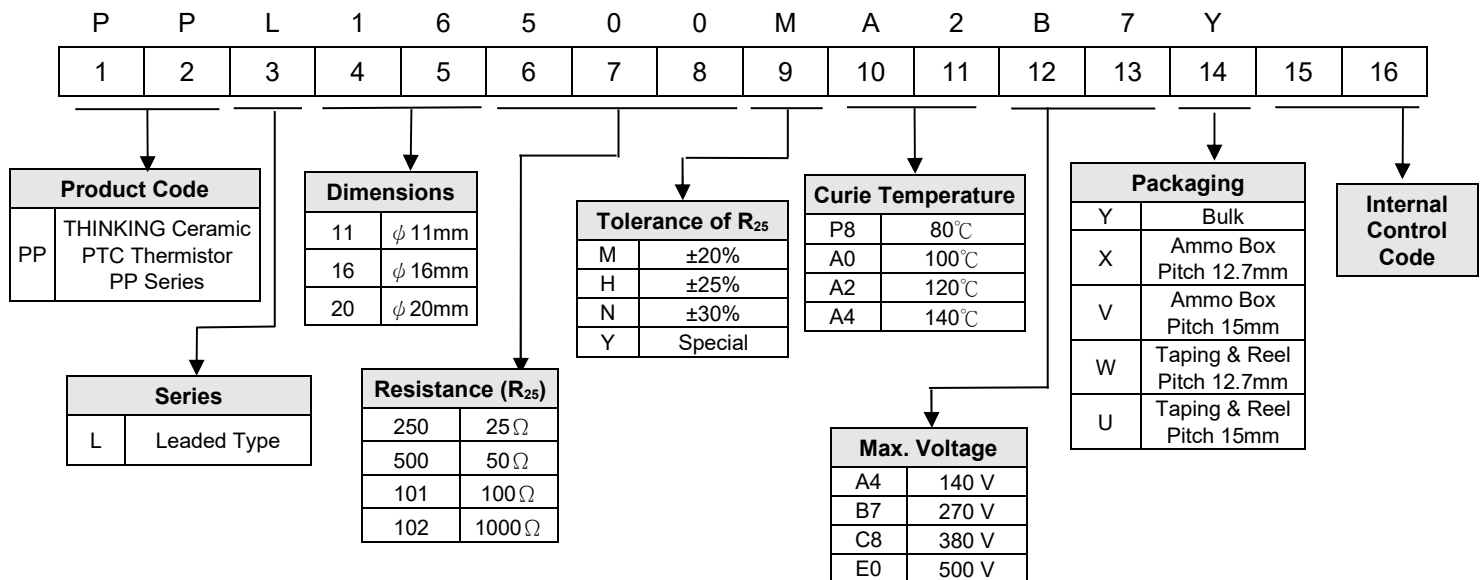
1. RoHS compliant
2. Leaded type
3. Voltage rating: 270V<sub>ac</sub>~500V<sub>ac</sub>
4. Resistance range: 10~1000Ω
5. Stable over a long time
6. Operating temperature range:
  - 20 ~ +85°C (V=V<sub>max</sub>)
  - 40 ~ +125°C (V=0)
7. Agency recognition:
  - UL/cUL File No. E138827



### ■ Recommended Applications

1. Air conditioner
2. Server
3. LED lamp
4. Switch power supply

### ■ Part Number Code



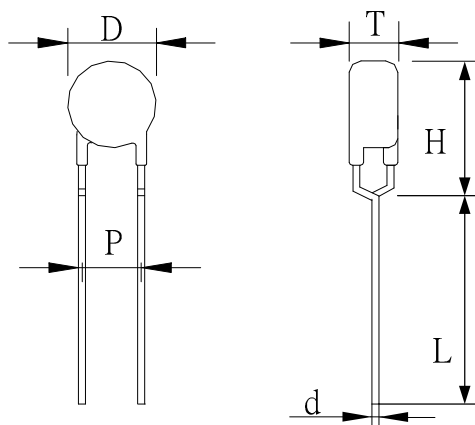
# Ceramic PTC Thermistor: PPL Series

## Dip Type for Inrush Current Limiter



### ■ Structure and Dimensions

#### ● Structure



#### ● Dimensions

(Unit: mm)

Part No.	D		T		H	d	P	L
	min	max	min	max	max	±0.02	±1.0	Min.
PPL123R8□A4A1	10.5	13.0	3.0	5.0	17.5	0.6	5	25
PPL09160□A2B2	8.5	11.0	3.0	5.0	14.5	0.6	5	25
PPL19100□A1B7	19.0	21.5	6.5	10.7	25.5	1.0	10	25
PPL16270□A2B7	15.5	18.0	5.0	7.5	21.5	1.0	10	25
PPL16350□A2B7	15.5	18.0	5.0	7.5	21.5	1.0	10	25
PPL16500□A2B7	15.5	18.0	5.0	7.5	21.5	1.0	10	25
PPL16800□A2B7	15.5	18.0	5.0	7.5	21.5	1.0	10	25
PPL19150□A2B7	19.0	21.5	6.5	10.7	25.5	1.0	10	25
PPL20400□A2B7	19.0	22.0	6.0	10.0	25.5	0.8	7.5	25
PPL20600□A2B7	19	22.0	6.5	10.7	25.5	1.0	10	25
PPL20330□A3B7	19.5	22.0	6.5	10.7	25.5	1.0	10	25
PPL20470□A3B7	19.5	22.0	6.5	10.7	25.5	0.8	7.5	25
PPL06121□A3B8	5.0	8.0	3.0	6.0	13.8	0.5	5	25
PPL11250□A2C8	10.5	13.0	4.0	6.5	17.0	0.6	5	25
PPL11500□A2C8	10.5	13.0	5.0	7.5	17.0	0.6	5	25
PPL11800□A2C8	10.5	13.0	5.0	7.5	17.0	0.6	5	25
PPL19500□A0C8	19.0	21.5	6.5	10.7	25.5	1.0	10	25
PPL11121□A2C8	10.5	13.0	5.0	7.5	17.0	0.6	5	25
PPL11151□A2C8	10.5	13.0	5.0	7.5	17.0	0.6	5	25
PPL16101□A2C8	15.5	18.0	5.0	7.5	21.5	1.0	10	25
PPL11201□A2D2	10.5	13.0	5.0	7.5	17.0	0.6	5	25
PPL16151□A2D2	15.5	18.0	5.0	7.5	21.5	1.0	10	25
PPL14121□A3D4	12.5	15.0	5.0	7.5	19.5	0.8	5	25
PPL14560□A3D4	12.5	15.0	5.0	7.5	19.5	0.8	5	25
PPL19102□A0D8	19.0	21.5	6.5	10.7	25.5	1.0	10	25
PPL16251□A2E0	15.5	18.0	5.0	7.5	21.5	1.0	10	25
PPL11501□A2E0	10.5	13.0	5.0	7.5	17.0	0.6	5	25

Note: For AEC-Q 200 qualified products, their d is 0.6mm for straight lead, and 0.8mm or 1.0mm for F lead. Please contact THINKING sales representatives and authorized distributors for detailed information

# Ceramic PTC Thermistor: PPL Series

## Dip Type for Inrush Current Limiter



### ■ Characteristics

Part No.	Max. Voltage	Zero-power Resistance at 25°C	Curie Temperature	Thermal Capacity	Safety Approvals	
	Vmax (Vac)	R <sub>25</sub> (Ω)	T <sub>c</sub> (°C)	C <sub>th</sub> (J/K)	UL/cUL	TUV
PPL123R8□A4A1	140	3.8	140	0.8	√	√
PPL09160□A2B2	220	16	120	0.4	√	√
PPL19100□A1B7	270	10	110	3.5	√	√
PPL19150□A2B7	270	15	120	3.5	√	√
PPL16270□A2B7	270	27	120	2.3	√	√
PPL20330□A3B7	270	33	130	3.8	√	√
PPL16350□A2B7	270	35	120	2.3	√	√
PPL20400□A2B7	270	40	120	3.2	√	√
PPL16500□A2B7	270	50	120	2.3	√	√
PPL20600□A2B7	270	60	120	3.8	√	√
PPL16800□A2B7	270	80	120	2.3	√	√
PPL20470□A3B7	280	47	130	3.8	√	√
PPL06121□A3B8	280	120	130	0.12	√	√
PPL11250□A2C8	380	25	115	1.0	√	√
PPL19500□A0C8	380	50	100	3.5	√	√
PPL11500□A2C8	380	50	115	1.4	√	√
PPL11800□A2C8	380	80	115	1.4	√	√
PPL16101□A2C8	380	100	120	2.3	√	√
PPL11121□A2C8	380	120	115	1.4	√	√
PPL11151□A2C8	380	150	115	1.4	√	√
PPL16151□A2D2	420	150	120	2.3	√	√
PPL11201□A2D2	420	200	120	1.4	√	√
PPL14560□A3D4	440	56	130	2.1	√	√
PPL14121□A3D4	440	120	130	2.1	√	√
PPL19102□A0D8	480	1000	100	3.8	√	√
PPL16251□A2E0	500	250	120	2.3	√	√
PPL11501□A2E0	500	500	115	1.4	√	√

Note 1: □ is the tolerance of R<sub>25</sub>

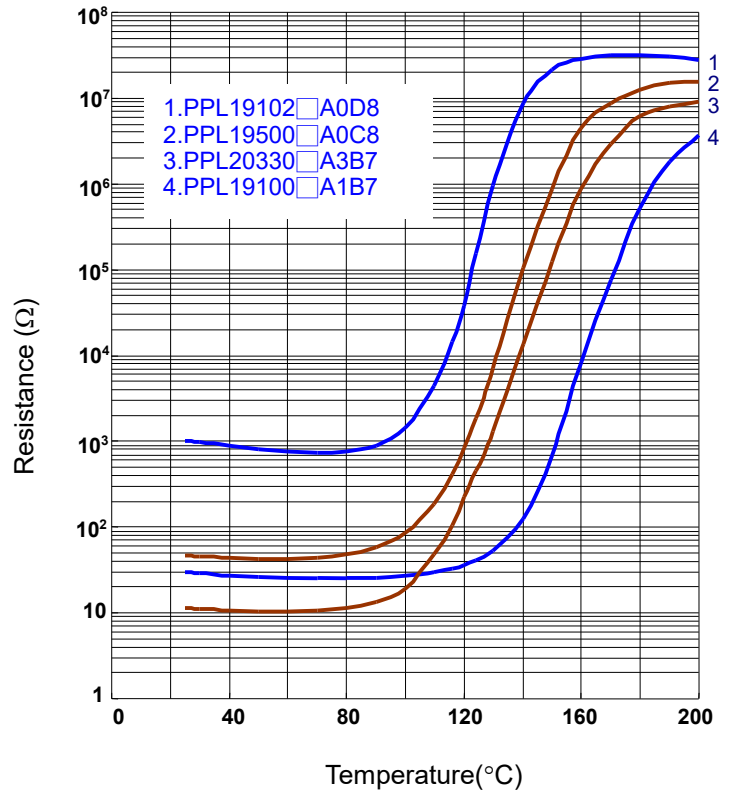
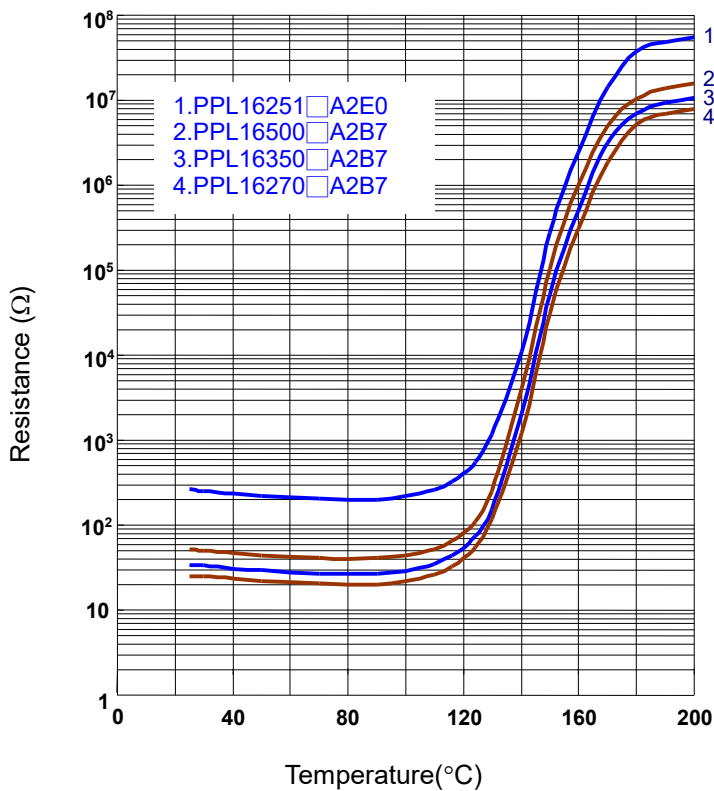
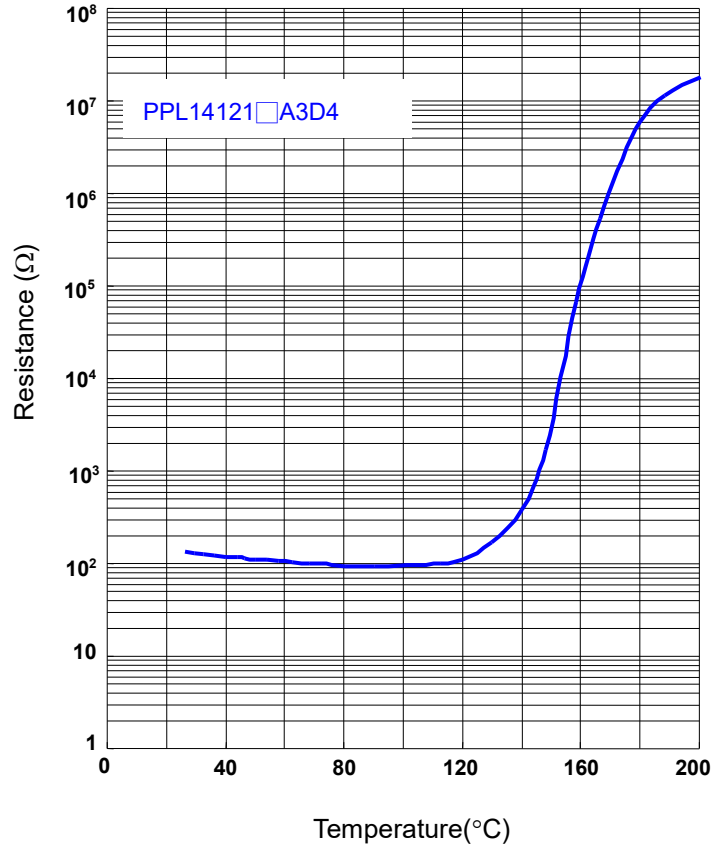
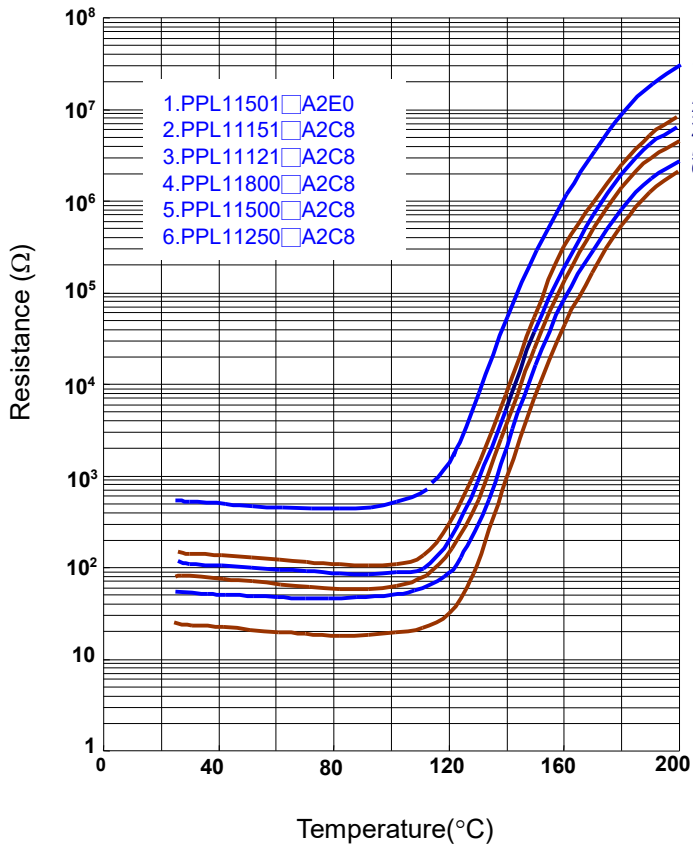
Note 2: AEC-Q 200 qualified products of this series are available.

# Ceramic PTC Thermistor: PPL Series

## Dip Type for Inrush Current Limiter



### R-T Characteristic Curve (Typical)



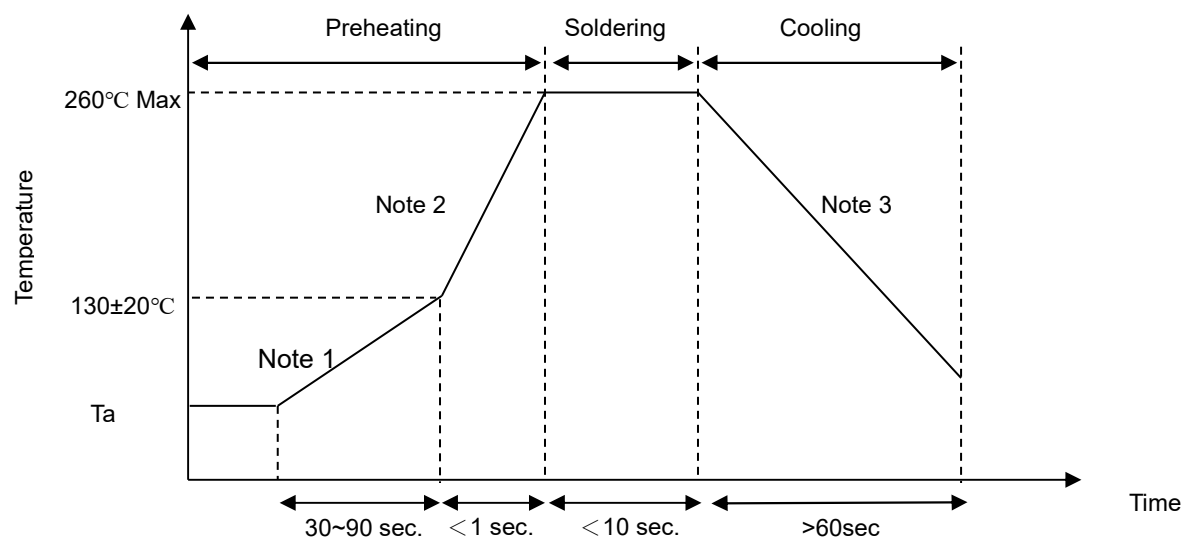
# Ceramic PTC Thermistor: PPL Series

## Dip Type for Inrush Current Limiter



### ■ Soldering Recommendation

#### ● Wave Flow Soldering Profile



#### Note

- 1: (1~3°C)/sec
- 2: Approx. 200°C/sec
- 3: 5°C/sec. (Max)

### ■ Recommended Reworking Conditions with Soldering Iron

Item	Conditions
Temperature of Soldering Iron-tip	360°C (max.)
Soldering Time	3 sec (max.)
Distance from Thermistor	2 mm (min.)

# Ceramic PTC Thermistor: PPL Series

## Dip Type for Inrush Current Limiter



### ■ Reliability Test

Item	Standard	Test Conditions and Methods	Specifications															
Robustness of Terminations	IEC 60738-1	<p>Gradually apply the specified force and keep the unit fixed for 10±1 sec.</p> <table border="1"> <thead> <tr> <th>Terminal diameter (mm)</th> <th>Force T(N)</th> </tr> </thead> <tbody> <tr> <td>0.35&lt;d≤0.5</td> <td>5.0</td> </tr> <tr> <td>0.5&lt;d≤0.8</td> <td>10.0</td> </tr> <tr> <td>0.8&lt;d≤1.25</td> <td>20.0</td> </tr> </tbody> </table>	Terminal diameter (mm)	Force T(N)	0.35<d≤0.5	5.0	0.5<d≤0.8	10.0	0.8<d≤1.25	20.0	<p>  <math>\Delta R_{25}/R_{25}</math>   ≤ 20% No visible damage</p>							
Terminal diameter (mm)	Force T(N)																	
0.35<d≤0.5	5.0																	
0.5<d≤0.8	10.0																	
0.8<d≤1.25	20.0																	
Solderability	IEC 60738-1	245±3°C, 2±0.5 sec	At least 95% of terminal electrode is covered by new solder															
Resistance to Soldering Heat	IEC 60738-1	260±3°C, 10±1 sec	<p>  <math>\Delta R_{25}/R_{25}</math>   ≤ 20% No visible damage</p>															
Vibration	IEC 60738-1	<p>Frequency range: 10~55Hz Amplitude: 0.75mm or 98m/s<sup>2</sup> Direction: 3 mutually perpendicular directions Duration: 6hrs (3x2 hrs)</p>	<p>  <math>\Delta R_{25}/R_{25}</math>   ≤ 20% No visible damage</p>															
Shock	IEC 60738-1	<p>Wave: half-sine ΔV: 1.0m/s Acceleration: 50 m/s<sup>2</sup> Pulse time: 30ms</p>	<p>  <math>\Delta R_{25}/R_{25}</math>   ≤ 20% No visible damage</p>															
Rapid Change of Temperature	IEC 60738-1	<p>The thermal shock conditions shown below shall be repeated 5 cycles.</p> <table border="1"> <thead> <tr> <th>Step</th> <th>Temperature (°C)</th> <th>Period (minutes)</th> </tr> </thead> <tbody> <tr> <td>1</td> <td>-40 ± 5</td> <td>30 ± 3</td> </tr> <tr> <td>2</td> <td>Room temperature</td> <td>5 ± 3</td> </tr> <tr> <td>3</td> <td>85 ± 5</td> <td>30 ± 3</td> </tr> <tr> <td>4</td> <td>Room temperature</td> <td>5 ± 3</td> </tr> </tbody> </table>	Step	Temperature (°C)	Period (minutes)	1	-40 ± 5	30 ± 3	2	Room temperature	5 ± 3	3	85 ± 5	30 ± 3	4	Room temperature	5 ± 3	<p>  <math>\Delta R_{25}/R_{25}</math>   ≤ 20% No visible damage</p>
Step	Temperature (°C)	Period (minutes)																
1	-40 ± 5	30 ± 3																
2	Room temperature	5 ± 3																
3	85 ± 5	30 ± 3																
4	Room temperature	5 ± 3																
Climatic Sequence	IEC 60738-1	<p>Dry heat: 125 °C for 16 hrs Damp heat first cycle: 40°C, 95% R.H ,cycle time: 24 hrs Cold: -40°C for 2 hrs Damp heat (cyclic), remaining cycles: 5 cycles Test according to IEC60068-2-30</p>	<p>  <math>\Delta R_{25}/R_{25}</math>   ≤ 20% No visible damage</p>															
Damp Heat, Steady State	IEC 60738-1	40±2°C, 90~95% RH, 1000±2hrs	<p>  <math>\Delta R_{25}/R_{25}</math>   ≤ 20% No visible damage</p>															
Endurance at Maximum Operating Temperature and Maximum Voltage	IEC 60738-1	85°C, V <sub>max</sub> , 1000±2hrs	<p>  <math>\Delta R_{25}/R_{25}</math>   ≤ 20% No visible damage</p>															
Endurance Test for Charging of Capacitor	Specification Standard	Operating cycles at V <sub>max</sub> , 100,000 cycles (charging of capacitor)	<p>  <math>\Delta R_{25}/R_{25}</math>   &lt; 25% No visible damage</p>															

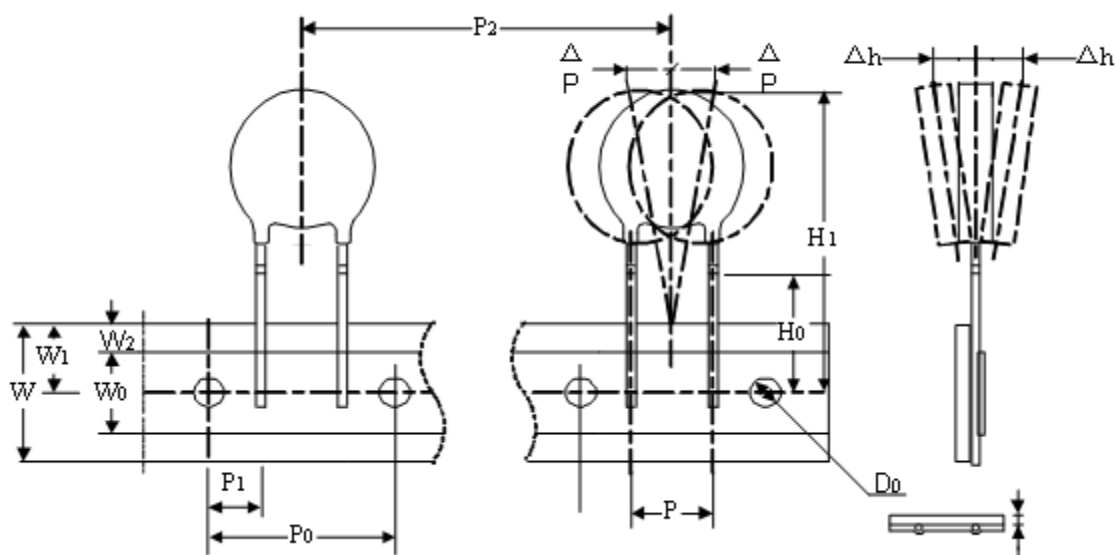
# Ceramic PTC Thermistor: PPL Series

## Dip Type for Inrush Current Limiter



### ■ Packaging

#### ■ Taping Specification



### ■ Parameter List

(Unit: mm)

Index	Parameter	Nominal dimensions		Tolerance
P	Lead spacing	5		±1
P <sub>0</sub>	Sprocket hole pitch	12.7	15	±0.3
P <sub>1</sub>	Ordinate to adjacent component lead	3.85	5	±1
P <sub>2</sub>	Device pitch	12.7 (D ≤ 10) 25.4 (D > 10)	15.0 (D ≤ 10) 30.0 (D > 10)	±1
H <sub>0</sub>	Abscissa to plane (kinked lead)	16	16	±0.5
H <sub>1</sub>	Abscissa to top	33.5(D=11) 36.0(D=14)		Max.
W	Carrier tape width	18	18	±1
W <sub>0</sub>	Hold-down tape width	12	12	±1.5
W <sub>1</sub>	Sprocket hole position	9	9	±1
W <sub>2</sub>	Top distance between tape edges	3	3	Max.
ΔP	Body tape plane deviation	1	1	Max.
Δh	Body lateral deviation	2	2	Max.
D <sub>0</sub>	Sprocket hole diameter	4	4	±0.2
t	Tape thickness	0.6	0.6	±0.2

**Note:** D is the PTC disc diameter.

# Ceramic PTC Thermistor: PPL Series

## Dip Type for Inrush Current Limiter



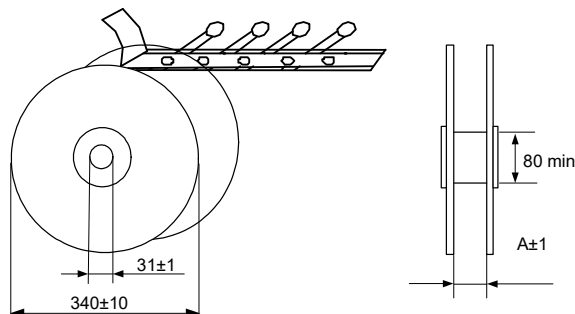
### ■ Quantity

#### ● Bulk Packing

Disc Size (mm)	Quantity (pcs/bag)
$10 < \Phi < 20$	100
$\Phi \geq 20$	50

#### ● Reel Packing

Disc Size (mm)	Quantity (pcs/reel)
$07 < \Phi \leq 12$	750
$12 < \Phi \leq 16$	500
$\Phi > 16$	250

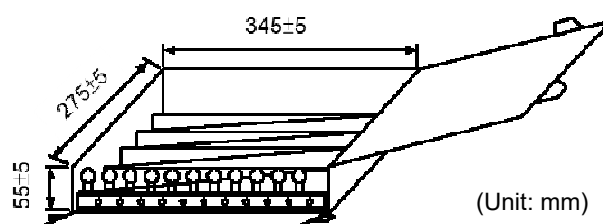


(Unit: mm)

Disc Size	$\Phi < 16$	$\Phi \geq 16$
A	46	55

#### ● Ammo Packing

Disc Size (mm)	Quantity (pcs/box)
$07 < \Phi \leq 12$	750
$12 < \Phi \leq 16$	500
$\Phi > 16$	250



(Unit: mm)

### ■ Warehouse Storage Conditions of Products

#### ● Storage Conditions:

1. Storage Temperature:  $-10^{\circ}\text{C} \sim +40^{\circ}\text{C}$
2. Relative Humidity:  $\leq 75\% \text{RH}$
3. Keep away from corrosive atmosphere and sunlight.

#### ● Period of Storage: 1 year

### ■ Usage

Please keep products away from the conditions mentioned below to avoid their characteristic deterioration and failure.

1. Corrosive gas or deoxidizing gas ( $\text{Cl}_2$ ,  $\text{H}_2\text{S}$ ,  $\text{NH}_3$ ,  $\text{SO}_x$ ,  $\text{NO}_x$  etc.)
2. Place in a vacuum or put pressure
3. Salt water, oil, solvent and chemical liquid
4. Flammable gas
5. Place in splashed water, or high humidity and dewing place
6. Other places similar to any conditions mentioned above